





radiant

With the introduction of Clarus, PMC set a new benchmark for LED downlighting. Working in collaboration with the leading LED producers in the field, PMC continues to expand this Clarus offering with even greater flexibility, uncompromising quality and higher efficiencies. Whether you need tight beam spread distributions, clean aesthetics without LED lamp imaging or optimal lumen efficiency, PMC has the LED series perfectly suited to your requirements. Clarus is precisely on target—architectural not fussy, application tailored not generic, and innovative not trendy. Rely on PMC to offer the most complete range of custom LED downlights available, providing solutions for many of today’s traditional lighting applications.



Clarus LED Product Series

- XL— Deluxe Edition
- HP — High Performance
- PO — PAR Optic
- LE — Leading Edition



Recessed LED,
round trim



Recessed LED,
square trim



Recessed LED,
wallwash



Surface LED Cylinder



Westin Riverfront, Avon, CO
Clarus series: 4LE-550

XL Deluxe Series:

Our newest edition, the Deluxe Series (XL), is the ideal solution when efficiency and versatility are required. The Deluxe series exceeds expectations offering lumen packages from 550—3000 lumens and efficiency values up to 96%. Responding with a variety of beam spread distributions, the XL series can provide high quality efficient lighting for virtually any application, ranging from high ceilings, general illumination to accent lighting. This robust lighting package offers these versatile lighting solutions while maintaining excellent color rendering and a consistent appearance throughout the application.

Clarus Deluxe (XL) Series offers:

- Luminaire efficiency rating, up to 96%
- Color Rendering Index up to 95
- Interchangeable lumen packages ranging from 550—3000* lumens (*3000 subject to availability)
- Multiple beam spread distributions—20°/40°/60°



Scotiabank, Ontario, Canada
Clarus series: 6LE-HP-2000

HP Series:

The High Performance LED series is designed with long life, low maintenance and consistent performance in mind. This specification grade offering provides great versatility with interchangeable lumen packages, and multiple color temperature LEDs from which to choose. Specify the advanced state of the art HP, when excellent performance and value are required.

Clarus High Performance (HP) Series offers:

- Interchangeable lumen packages—1100/2000/3000*
(*3000 subject to availability)
- 90% luminaire efficiency rating
- High reliability with built-in active cooling system



Gilbert Mercy Hospital, Gilbert, AZ
Clarus series: 6LE-PO-1300
Photo Credit: Mack Boisclair Photography, Inc.

PO Series:

As the Par Optic name indicates, the PO series is an excellent choice when the look and upscale feel of a more traditional downlight is required and LED lamp concealment is desired. With multiple beam spread distributions available, the lumen package and distribution pattern can be tailored to meet the custom needs of the application. These features can even be mixed and matched as required while keeping a consistent appearance within the space. Specify the Par Optic series when fixture aesthetics and distribution characteristics are key.

Clarus Par Optic (PO) Series offers:

- Interchangeable beam spreads—20°/30°/45°
- Concealed lamp image
- Superior optical control placing lighting exactly where required



Bell Canada, Mississauga, Ontario, Canada
Clarus series: 6LE-1100
Photo Credit: Doug Hall/doughall.ca

LE Series:

Our first LED offering continues to provide excellent performance, with enhanced lumen packages up to 1700 lumens and multiple beam spread options. The LE series differentiates itself by offering large lumen packages in tight beam spreads. Free of a lensed optic, the LE series provides the best choice to target large output in a defined space. With a minimum 90% efficiency rating, the LE is an excellent option when versatility, and lighting distribution and control are required.

Clarus Limited Edition Series offers:

- Fixed beam spreads mimic par lamp lumen and distribution patterns
- Lumen packages up to 1700
- Superior optical control placing lighting exactly where required



LE-M Series:

Our multi-head LED series offers all the benefits of accent adjustable MR16's and all the benefits of LED technology. With multiple beamspreads that mimic MR16 distributions, a desired subject can be highlighted with remarkable efficiencies and excellent color rendering properties. In addition, fading or degrading illuminated surfaces are no longer a concern as the LED technology doesn't project heat, UV or IR onto the subject. Our LE-M series can be tailored to fit the custom needs of your application with configurations up to 8 heads and flexible fixture housing styles from recessed to pendant. These luminaires can even be used in conjunction with our fluorescent offering by incorporating the accent heads at the end of a row or in between modules. This multi-head series brings LED technology down to size, making it ideal for many accent and retail applications.



Clarus Multi-Head LED (LE-M) Series offers:

- Multiple beam spreads in 10°/25°/36°
- 2" diameter head that rotates 190 degrees
- Adjustability up to 45 degrees from vertical



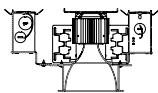
Private Residence, Park City, UT
 Clarus series: 2LE-M
 Photo Credit: Jim West

To order a Clarus product, select product data from each category below. Consult specification sheets available on our website – www.pmclighting.com to confirm availability of specific combinations of features and options.

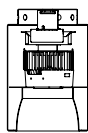
MODEL NUMBER

1 – Series	2 – Lumen	3 – Mounting	4 – Color Temp Beam Spread	5 – Circuit	6 – Driver	7 – Voltage	8 – Reflector	9 – Diffuser	10 – Finish	11 – Options
------------	-----------	--------------	-------------------------------	-------------	------------	-------------	---------------	--------------	-------------	--------------

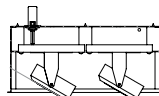
1 – Series:



4LE/6LE



6LEC
 Cylinder



2LE-M

- 4LE—4" Recessed LED
- 4LE-PO—4" Recessed LED; PO Driver
- 4LE-HP—4" Recessed LED; HP Driver
- 4LE-XL—4" Recessed LED; XL Driver
- 6LE—6" Recessed LED
- 6LE-PO—6" Recessed LED; PO Driver
- 6LE-HP—6" Recessed LED; HP Driver
- 6LE-XL—6" Recessed LED; XL Driver
- 6LEC—6" Cylinder LED
- 6LEC-PO—6" Cylinder LED; PO Driver
- 6LEC-HP—6" Cylinder LED; HP Driver
- 6LEC-XL—6" Cylinder LED; XL Driver
- 2LE-M—Multi-head LED Series; Recessed and Surface

Clarus specification data:

The Clarus series offers state of the art technology, clean aesthetics and multiple options to tailor a lighting solution for your specific application.

2 – LED Lumens: Selections range from 550 to 3000* Lumens depending on model (*3000 subject to availability)

3 – Mounting: R—Recessed **Cylinder:** S—Surface **2LE-M:** T—TGrid
 W—Wall P—Pendant F—Flanged
 V—Swivel Pendant S—Surface

4 – Color Temp: Selections range from warm (2700°) to cool (4000°) depending on model

Beam Spread: Variety of beam spreads from narrow (20°) to wide (60°)

5 – Circuits: 1= Standard (Multi-circuits available with 2LE-M series; consult factory)

6 – Drivers: L= Electronic H= Hi-lume/Dimming D= 0-10V/Dimming

7 – Voltage: 120/277/347

8 – Reflectors:



9 - Diffusers: Recessed Round Standard
 SQ—Recessed Square
 WLW—Wallwash

10 – Finishes: Finishes—Standard cylinder finishes
 B—Black
 Z—Bronze
 W—White
 Custom colors are available.

11 – Options: DIM—Dimming, consult factory
 GLR—Fusing
 EM—Emergency, consult factory
 C—Consult factory for custom requests.

Construction / Materials:

Recessed housing utilizes state of the art integral heat sink of extruded aluminum. Surface cylinder consists of heavy gauge aluminum. Reflector is low iridescent Alzak. Multiple anodized finishes available. Trim flange to match reflector finish is standard.

Electrical:

Recessed housing uses versatile mounting bars and height brackets for ease of installation. 14 ga galvanized junction box prewired from factory. Through-wired rated. Electrical components accessible from below ceiling.

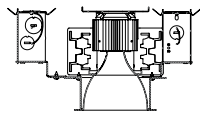
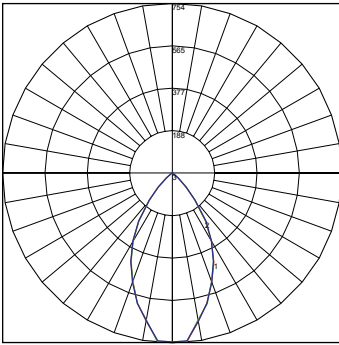
Labels—ETL/cETL listed for damp location.

All fixtures are pre-wired and individually tested with electronic drivers standard.

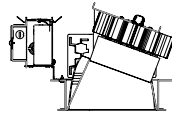
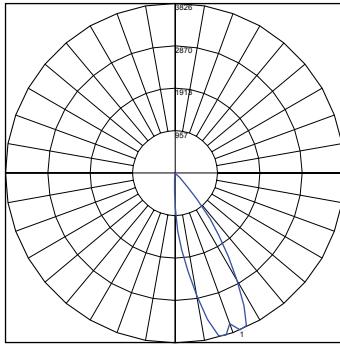
Data provided for general information. Consult product specification sheets at www.pmclighting.com for availability of specific combinations of features and options, full technical specifications and photometric data.

Sample photometry for typical Clarus series:

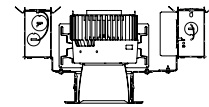
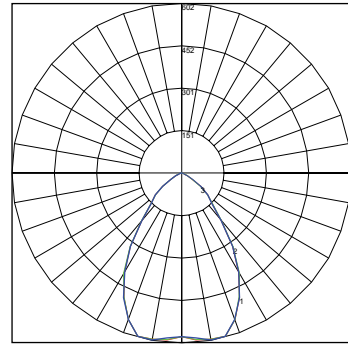
To access our complete photometric data for this series, visit our website at www.pmcighting.com.



4LE-XL-700



6LE-WW-1100-HZ-NW-30°



4LE-SQHP-1100-R-WW-1-D