

MOUNTING TYPES: RECESSED SEALED

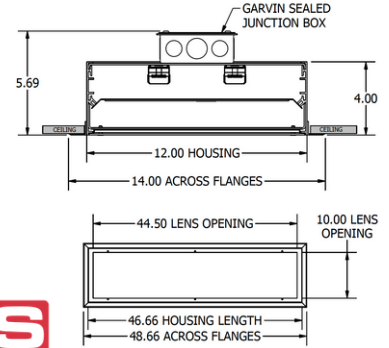
pür-led powered by Vital Vio is putting light to work by continuously reducing germs on indoor surfaces with the flip of a light switch.

FEATURES:

- Sealed recessed extruded aluminum antimicrobial LED troffer
- Various Antimicrobial LED board options
- Diffuser: Diffuse lens framed in a gasketed door
- Finish: White Antimicrobial Polyester Powder Coat

SPECIFICATIONS:

- **Construction:** Extruded aluminum housing with internal components of die formed CRS with reflective white enamel coating.
- Room side access for driver compartment, sealed Junction Box for fixture wiring access, shallow design housing joinable into extended rows
- Mitred flange corners
- Standard 0-10v dimming down to 1%*
- cETLus Listed for Wet Location



ANTIMICROBIAL WHITE MODE (AWM) VS. ENHANCED ANTIMICROBIAL MODE (EM)

Use our 'Antimicrobial White Mode' as a replacement for standard overhead lighting that provides both continuous microbial reduction and illumination and our 'Enhance Antimicrobial Mode,' which emits a higher dosage of Vital Vio's antimicrobial wavelengths, as a maintenance mode for when full illumination is not required.

With the flip of a switch, pür-led luminaires can be shifted from Antimicrobial White Mode to Enhanced Antimicrobial Mode; both modes work to constantly create an inhospitable environment for bacteria to grow, while allowing unrestricted use for humans and animals.**

FIXTURE/TYPER(S):

PROJECT:

SCX2196PL

SERIES

MOUNTING

LED BOARDS

COLOR TEMP

SIZE

DIFFUSER

FINISH

UNV

VOLTAGE

OPTIONS

MOUNTING:

- FL - RECESSED SEALED FLANGED
- FLTRM - FLANGELESS (FOR MUD IN)

LED BOARDS:

- AWM - ANTIMICROBIAL WHITE MODE
- DM - DUAL MODE (ANTIMICROBIAL WHITE MODE W/ENHANCED ANTIMICROBIAL MODE)
- SWEM - STANDARD WHITE LIGHT W/ ENHANCED ANTIMICROBIAL MODE

COLOR TEMPERATURE:

- 30K - (AWM, DM AND SWEM LED BOARDS)
- 41K - (AWM, DM AND SWEM LED BOARDS)
- 27K - (SWEM ONLY)
- 35K - (SWEM ONLY)

*Dimming can reduce antimicrobial dosage below recommended 500lux level.

**Vital Vio antimicrobial light technology meets the international standards for continuous exposure and unrestricted use around humans.

SIZE

- 1'X2' - 4000LM - 77W
- 2'X2' - 8000LM - 154W
- 1'X4' - 8000LM - 154W
- 2'X4' - 16000LM - 308W

DIFFUSER:

- FCA - STANDARD FROSTED CLEAR ACRYLIC
- FPC - FROSTED DIFFUSION POLYCARBONATE
- WOA - HIGH DIFFUSIONAL WHITE OPAL ACRYLIC

FINISH:

- WHT - WHITE ANTIMICROBIAL POLYESTER POWDER COAT
- CA - CUSTOM COLORS (CONSULT FACTORY)

VOLTAGE:

UNV - UNIVERSAL (120/277V)

OPTIONS:

- GLR - IN LINE FUSING
- TP - TAMPER RESISTANT HARDWARE

See Control Package Design worksheet to specify occupancy based switching of disinfection modes on DM and SWEM fixture models

Some options may not be available in all combinations - all fixture configurations subject to final factory approval.

Specifications and Dimensions are subject to change without notice. Consult factory or visit www.pmlighting.com for specific installation instructions.

PMC LIGHTING PÜR-LED OCCUPANCY CONTROL PACKAGE DESIGN

Automatic switching between lighting modes with PMC Lighting pür-led fixtures is important to maximizing the antimicrobial capabilities of the pür-led system, while still providing comfortable white light illumination when a space is occupied.

PMC Lighting has developed a simple, occupancy based system to automatically switch between modes on SWEM or DM equipped fixtures. To custom design the controls needed to your specific space, follow the 3 steps below to configure the system. It will be helpful to have a floor plan and/or reflected ceiling plan available for you to complete the following steps.

STEP 1 - SENSORS

Start your controls design by looking at the space you have lit with pür-led fixtures to determine where and how many Occupancy Sensors you will need to ensure that when someone is in the space, they are always within range of a sensor that will detect their presence.

SENSOR QUANTITY:

STEP 2 - POWER SUPPLY

Sensors need to be powered by a power supply, and up to 6 sensors can be powered from a single supply. To determine the number of sensor power supplies you need, look at the number of rooms you have, or groupings of pür-led fixtures you have, where all the fixtures would be expected to function together based on occupancy.

For example, you may have a Men's Room and Ladies Room that are being lit by pür-led fixtures. Each room may require 3 occupancy sensors to ensure that an occupant is always within range, for a total of 6 occupancy sensors. A single power supply can power the 6 sensors, but you don't want the Men's Room lights going on when someone enters the Ladies room. On the other hand you may have a space so large that you need 6 Occupancy Sensors to cover it. If all the pür-led fixtures in that large space are intended to operate identically, all 6 of the Occupancy sensors can be powered from a single Power Supply.

POWER SUPPLY
QUANTITY:

STEP 3 - RELAYS

The pür-led fixture mode is switched by the use of a voltage specific relay. Please be sure to select the relay that matches your project's line voltage. All fixtures connected to a relay operate identically.

Each relay can handle 16amps. Calculate fixture current by dividing total fixture wattage by supply voltage. Wattage information included on the spec sheet for linear fixtures is "per foot" not total wattage. It is recommended that you never install more than 14amps on the relay to maintain a safety margin.

Example. You are installing (24) pür-led 4 foot long ES44's in an area. The supply voltage is 120vac. An ES44 is 17.5w per foot. The total fixture wattage is 70w. 70w divided by 120vac equals .58 amps per fixture. .58a times 24 fixtures equals 13.92 total amps. The 24 fixtures can be controlled using a single relay. If you added just one more fixture, you would need an additional relay. Note - multiple relays can be connected to the output of the occupancy sensor power supply.

VOLTAGE (120 OR 277):

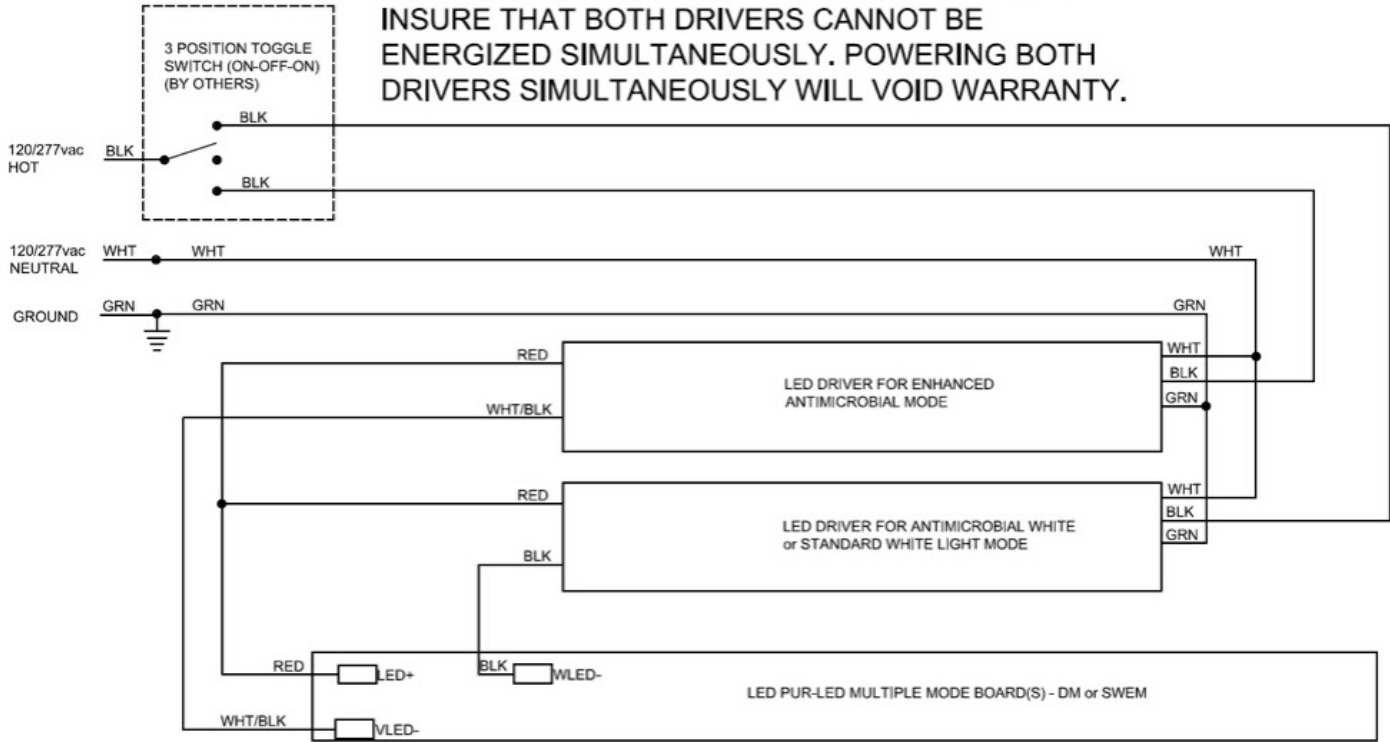
RELAY QUANTITY:

PMC LIGHTING PUR-LED CONTROLS PACKAGE MODEL NUMBER: **PL-OCC** **-PS** **-REL** -

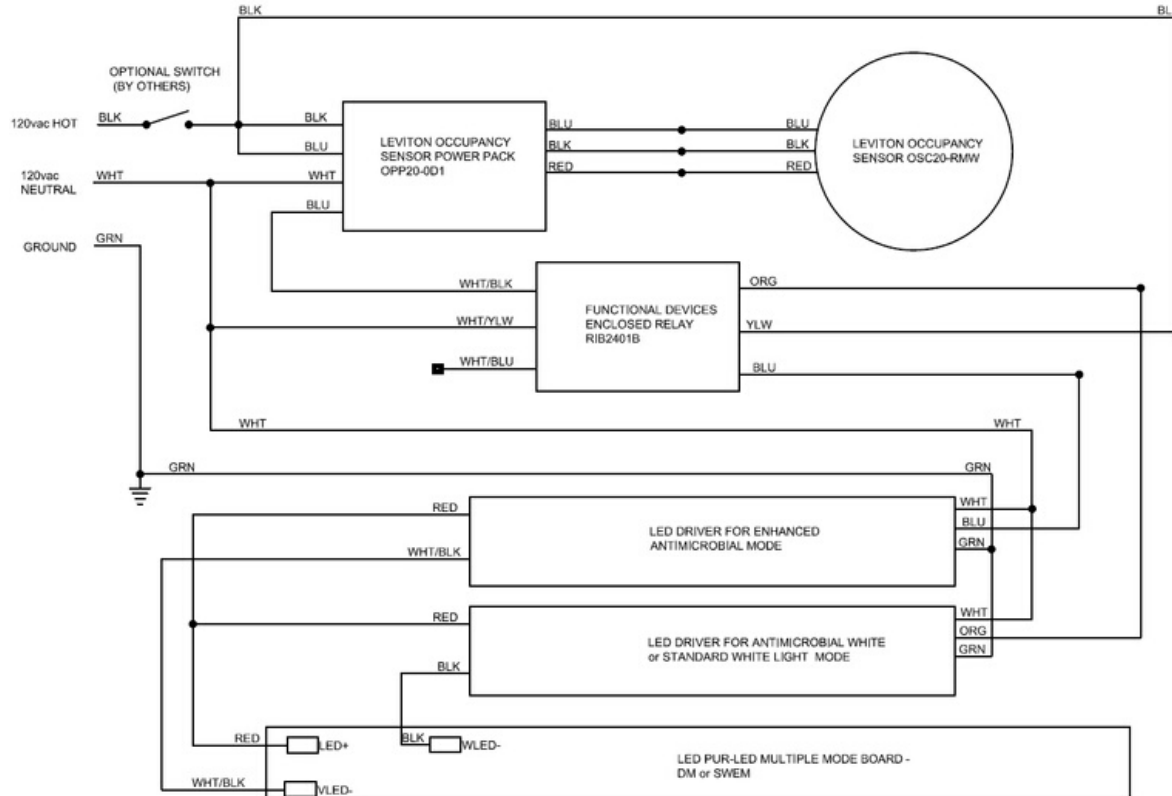
NOTE: ALL CONTROL WIRING MATERIALS AND LABOR ARE "BY OTHERS".
CONTROL COMPONENT WARRANTIES ARE BY THEIR RESPECTIVE MANUFACTURERS.

PUR-LED WIRING OPTIONS FOR DM AND SWEM OPTIONS

NOTE - CUSTOMER SUPPLIED SWITCHING MUST INSURE THAT BOTH DRIVERS CANNOT BE ENERGIZED SIMULTANEOUSLY. POWERING BOTH DRIVERS SIMULTANEOUSLY WILL VOID WARRANTY.



PUR-LED 3 POSITION SWITCH



NOTE - CUSTOMER SUPPLIED CONTROLS MUST INSURE THAT BOTH DRIVERS CANNOT BE ENERGIZED SIMULTANEOUSLY. POWERING BOTH DRIVERS SIMULTANEOUSLY WILL VOID WARRANTY.

PUR-LED OCCUPANCY SENSOR

Specifications and Dimensions are subject to change without notice.